

STOOL SYSTEM



STOOL SYSTEM MODULAR DESIGN – WITH EVERYTHING IN MIND

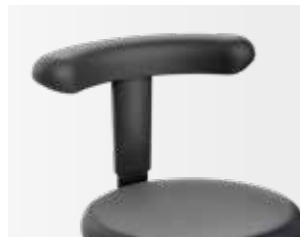
The new stool system from Bimos is a comfortable and flexible solution for short periods of sitting. Its configuration options make the stool system a versatile seating solution for industrial applications, the service sector, ESD areas and healthcare settings, as well as laboratories and cleanrooms.



Bimos is Europe's leading manufacturer of the best industrial and laboratory chairs. For over 50 years, using our specialist knowledge, technical expertise and dedication, we have been ensuring that seating keeps people productive, healthy and happy at every workplace.



ALLROUND



Flex support



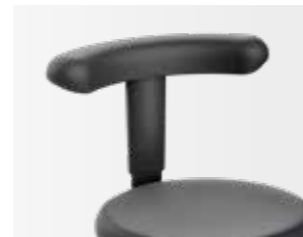
Supertec Duotec Synthetic leather Integral foam (PU) Wood



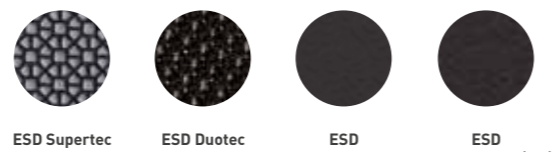
Colour ring orange Colour ring blue Colour ring green Colour ring grey



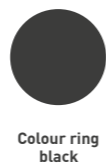
ESD



Flex support



ESD Supertec ESD Duotec ESD synthetic leather ESD integral foam (PU)



Colour ring black



MEDICAL/ LABORATORY



Flex support



Foot release



Synthetic leather leather Integral foam (PU)



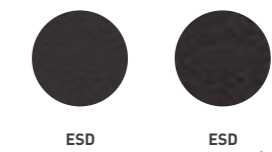
Colour ring orange Colour ring blue Colour ring green Colour ring grey



CLEANROOM



Foot release

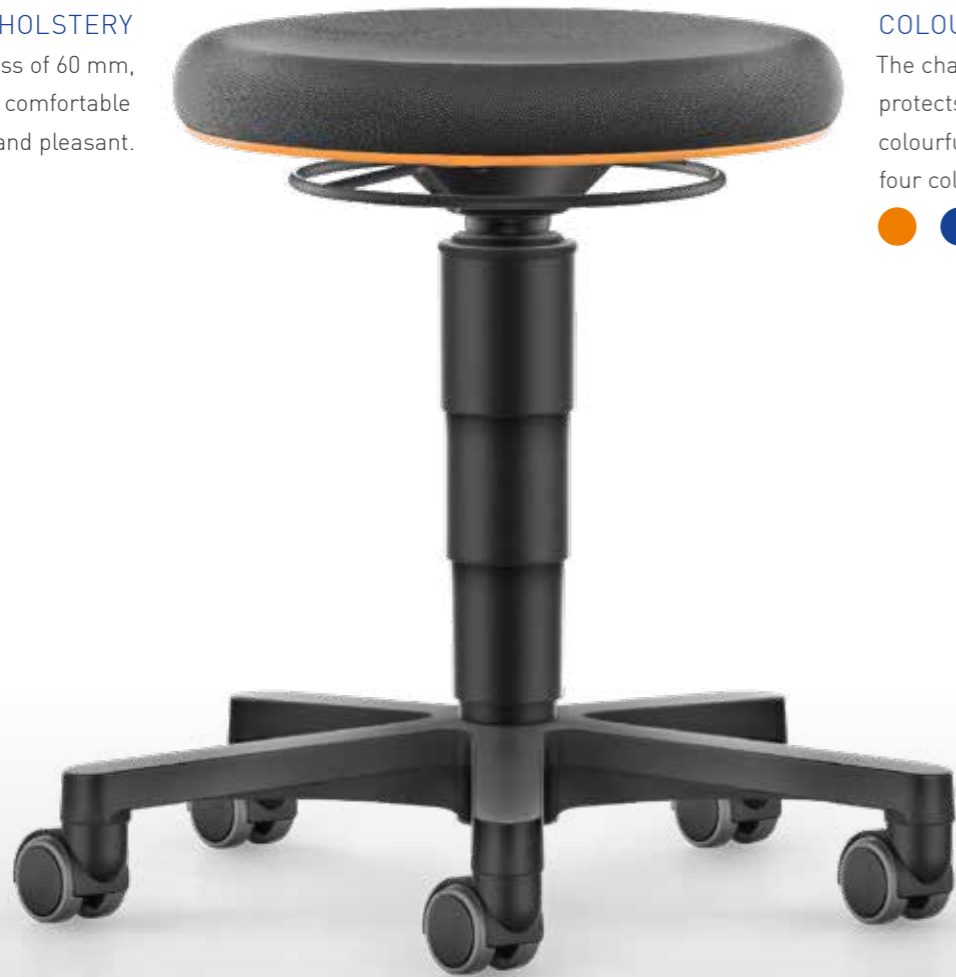


ESD synthetic leather ESD integral foam (PU)



COMFORT UPHOLSTERY

With a thickness of 60 mm, the upholstery is comfortable soft and pleasant.



COLOUR RING

The characteristic colour ring protects the upholstery, provides colourful accents and comes in four colours.



Finishes and colours for seat

| Finish | black | natur |
|--------------------------|-------|-------|
| Plywood, Beech | | |
| Order no | | 3000 |
| Artificial leather Magic | | |
| Order no | MG01 | |
| Integral foam | | |
| Order no | 2000 | |
| Duotec fabric | | |
| Order no | 6801 | |
| Supertec | | |
| Order no | SP01 | |

Colour ring

| | |
|----------|------|
| blue | |
| Order no | 3277 |
| grey | |
| Order no | 3278 |
| orange | |
| Order no | 3279 |
| green | |
| Order no | 3280 |

Accessories

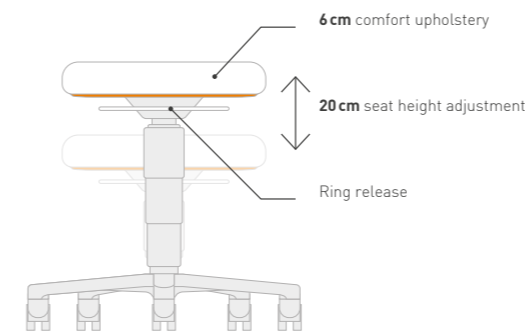
| | | |
|--------------|-------------------------|---|
| | | |
| Flex-support | Foot ring for Stool 1+2 | Stop & go castors instead of glides for Stool 3 |
| Order no | 9464 | 9478 |
| | | 807 |

ALLROUND

The Allround version of the stool system is used wherever people are sitting for short periods without any special requirements. This can include industrial and trade applications just as much as the service sector or retail. The stool requires little space. It is mobile and flexible in use. This makes it a valuable addition at the point of transition between standing and seated work.



Flex support. The Flex support acts both as an armrest and as a backrest. It represents a simple upgrade and turns the stool into a flexible, space-saving and yet comfortable seating solution.



Only 54 cm in diameter



ESD COMPLIANT

Maximum safety through overall discharge across all components in accordance with DIN EN 61340-5-1.



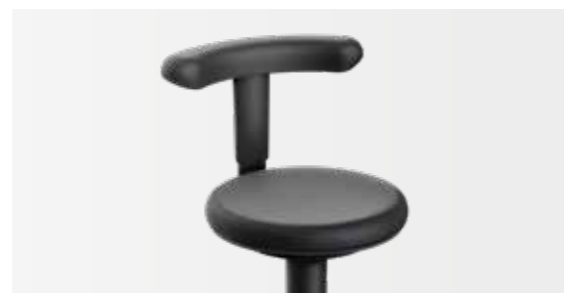
Finishes and colours for seat

| Finish | schwarz |
|--------------------------|---------|
| Artificial leather Magic | |
| Order no | MG01 |
| Integral foam ESD | |
| Order no | 2000 |
| Duotec fabric ESD | |
| Order no | 9801 |
| Supertec ESD | |
| Order no | CP01 |

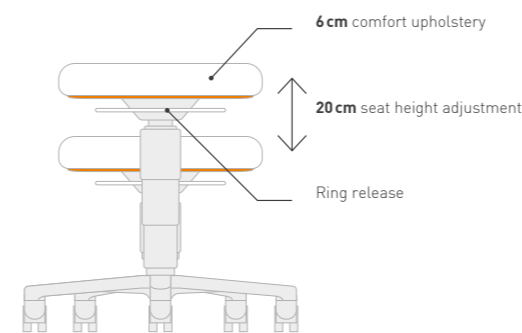
| Accessories | | | |
|-------------|------------------|-----------------------|---|
| | Flex-support ESD | Foot ring for Stool 2 | Stop & go castors instead of glides for Stool 3 |
| Order no | 9464E | 9478 | 807 |

ESD

Uncontrolled electrostatic discharge is one of the biggest dangers for sensitive components. The ESD version of the stool system ensures a safe discharge before excessive voltages can build up. To achieve this, all stool components are designed to be conductive – from the upholstery down to the castors. ESD stools from Bimos are the ideal solution for short periods of sitting in ESD areas.



ESD Flex support. Discharges stress as well as voltage: The ESD-compliant Flex support is a simple upgrade and turns the stool into a comfortable and reliably safe seating solution for ESD workstations.



Only 54 cm in diameter

COMFORT UPHOLSTERY

With a thickness of 60 mm, the upholstery is comfortable soft and pleasant.



COLOUR RING

The characteristic Colour ring protects the upholstery, provides colourful accents and comes in four colours.



HYGIENIC DESIGN

Hygiene starts with the shape. The stool is designed to collect no dirt and to be easy to clean.

LABORATORY CASTORS

The special laboratory castors are a particular design highlight, move smoothly and are easy to clean.

Finishes and colours for seat

| | |
|--------------------------|---|
| Finish | black |
| Artificial leather Magic |  |
| Best.-Nr. | MG01 |
| Integral foam |  |
| Order no | 2000 |

Colour ring

| | |
|----------|---|
| blue |  |
| Order no | 3277 |
| grey |  |
| Order no | 3278 |
| orange |  |
| Order no | 3279 |
| green |  |
| Order no | 3280 |

Accessories

| | | |
|---|---|---|
|  |  |  |
| Flex-support | Foot ring for Stool 2 | Stop & go castors instead of glides for Stool 3 |
| Order no | 9464 | 9478 |
| | | 807 |

MEDICAL/LABORATORY

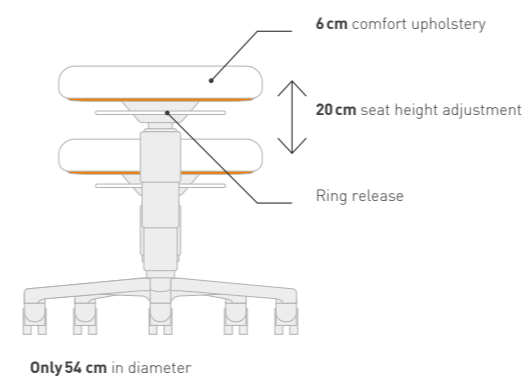
There are hardly any workplaces where there are so many different short-term seating scenarios as in the medical and laboratory sector. In addition to flexibility, cleaning and hygiene are of particular importance. The medical and laboratory version of the stool system is not only comfortable and easy to clean, it also offers features that were created especially for this area of application.



Flex support. The Flex support is a real upgrade for improved comfort. It turns the stool into a mobile seating solution.



Foot release. The height adjustment is triggered by foot thanks to an intuitive and particularly hygienic solution.





SOFT COVER

The ring release and the mechanism disappear underneath the soft cover. This means that no particles can be released, dust does not accumulate and cleaning becomes easy and efficient.

CLEANROOM-CERTIFIED

Meets the strict requirements of air cleanliness class 3 as per DIN EN ISO 14644-1.







ESD COMPLIANT

Maximum safety through overall discharge across all components in accordance with DIN EN 61340-5-1.



Finishes and colours for seat

| | |
|--------------------------|---|
| Finish | black |
| Artificial leather Magic |  |
| Order no | MG01 |
| Integral foam |  |
| Order no | 2000 |

| | | |
|-------------|---|---|
| Accessories |  |  |
| | Foot ring for Stool 2 | Stop & go castors instead of glides for Stool 3 |
| Order no | 9478 | 807 |

CLEANROOM

The cleanroom version of the stool system meets the strict requirements of air cleanliness class 3 as per DIN EN ISO 14644-1. In this way, the stool makes an important contribution to safe production processes in clean environments. Its suitability for ESD areas (ESD-compliant in line with DIN EN 61340-5-1) not only ensures component safety – for example for microelectronics – but also reduces particle accumulation on the stool's surfaces.



Foot release. Hands-free height adjustment: The intuitive foot release is both convenient and very hygienic.



Cleanroom castors. Special cleanroom castors guarantee cleanroom suitability and ensure ESD safety.

